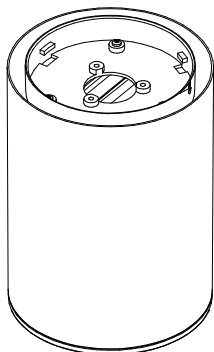


## CCTLed Tube



14W Sorgente Led / Led source  
15W Apparecchio / Fixture

COD. 1T3170 / 1T3171 / 1T3190 / 1T3191 / 1T3210 / 1T3211  
COD. 1T3230 / 1T3231 / 1T3172 / 1T3173 / 1T4463 / 1T3192  
COD. 1T3193 / 1T4464 / 1T3212 / 1T3213 / 1T3232 / 1T3233

15W Sorgente Led / Led source  
17W Apparecchio / Fixture

COD. 1T3166 / 1T3167 / 1T3186 / 1T3187 / 1T3206 / 1T3207  
COD. 1T3226 / 1T3227 / 1T3168 / 1T3169 / 1T4459 / 1T3188  
COD. 1T3189 / 1T4461 / 1T3208 / 1T3209 / 1T3228 / 1T3229

18W Sorgente Led / Led source  
22W Apparecchio / Fixture

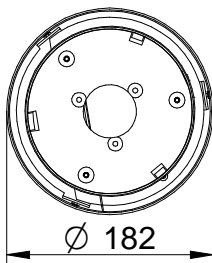
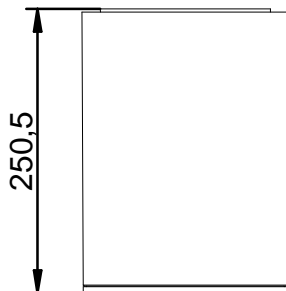
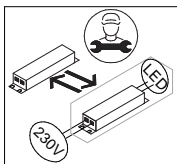
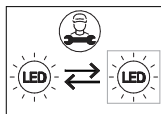
COD. 1T3162 / 1T3163 / 1T3164 / 1T3165 / 1T3182 / 1T3183  
COD. 1T3184 / 1T3185 / 1T3202 / 1T3203 / 1T3204 / 1T3205  
COD. 1T3222 / 1T3223 / 1T3224 / 1T3225 / 1T4455 / 1T4457

21W Sorgente Led / Led source  
24W Apparecchio / Fixture

COD. 1T3178 / 1T3179 / 1T3180 / 1T3181 / 1T3198 / 1T3199  
COD. 1T3200 / 1T3201 / 1T3218 / 1T3219 / 1T3220 / 1T3221  
COD. 1T3238 / 1T3239 / 1T3240 / 1T3241 / 1T4460 / 1T4462

25W Sorgente Led / Led source  
30W Apparecchio / Fixture

COD. 1T3174 / 1T3175 / 1T3176 / 1T3177 / 1T3194 / 1T3195  
COD. 1T3196 / 1T3197 / 1T3214 / 1T3215 / 1T3216 / 1T3217  
COD. 1T3234 / 1T3235 / 1T3236 / 1T3237 / 1T4456 / 1T4458



In caso di dubbi sulla simbologia,  
riferirsi al catalogo o al sito web.  
If in doubt about the symbols refer  
to catalog or website.

Per un corretto assemblaggio del sistema riferirsi anche al manuale dei kit di installazione e alimentazione.  
For proper system assembly, please refer also to installation and supply kit user instruction.

This product contains a light source of energy efficiency class < <https://www.targetti.com/en/Site-Search> >  
Questo prodotto contiene una sorgente luminosa di classe di efficienza energetica < <https://www.targetti.com/it/Cerca-nel-sito> >  
Ce produit contient une source lumineuse de classe d'efficacité énergétique < <https://www.targetti.com/fr/Chercher-sur-le-site> >  
Dieses Produkt enthält eine Lichtquelle der Energieeffizienzklasse < <https://www.targetti.com/de/Auf-der-Seite-suchen> >  
Este producto contiene una fuente de luz de clase de eficiencia energética < <https://www.targetti.com/es/Busca-en-el-sitio-web> >

RG1 secondo norma IEC/TR 62778:2014 / RG1 in accordance with IEC/TR 62778:2014  
RG1 selon la norme IEC/TR 62778:2014 / RG1 nach der norm IEC/TR 62778:2014  
RG1 enlight IEC/TR 62778:2014 / RG1 volgens IEC/TR 62778:2014  
RG1 de acordo com norma IEC/TR 62778:2014

- ① Lasciare una copia di queste istruzioni al responsabile della manutenzione.
- Ⓔ Please leave a copy of these instructions to the person responsible for the maintenance of the installation.
- Ⓕ Laisser une copie de ces instructions au responsable de l'entretien du système
- Ⓖ Dieses Hinweisblatt muss von dem Verantwortlichem der Wartung aufbewahrt werden
- Ⓗ Lämna en kopia av dessa instruktioner till underhållschefen.
- Ⓘ Entregar una copia de estas instrucciones al responsable de la instalación.
- Ⓜ يرجى ترك نسخة من إرشادات وتعليمات التركيب للفني المسئول عن برنامج الصيانة
- Ⓝ Пожалуйста, сохраните копию инструкции у лица, ответственного за обслуживание установленного оборудования.
- Ⓢ 请给负责安装维护的人员保留或转达一份说明书。

- Ⓜ L'apparecchio deve essere installato da personale qualificato. L'azienda declina ogni responsabilità qualora l'installazione non avvenga secondo le norme vigenti.
- Ⓔ This fixture must be installed by a qualified electrician. Targetti is not responsible if its fixtures are not installed according to local safety standards.
- Ⓕ L'appareil doit être installé par électriciens qualifiés. Targetti ne peut pas être responsable pour toutes les installations qui ne respectent pas les normes de sécurité en vigueur.
- Ⓖ Das Gerät muss von Elektroinstallateuren montiert werden. Targetti ist nicht verantwortlich, wenn die Montage nicht gemäß der Sicherheitsvorschriften stattfindet.
- Ⓗ Apparaten ska installeras av kvalificerad personal. Företaget fransäger sig allt ansvar om installationen inte sker enligt gällande föreskrifter.
- Ⓘ El aparato debe ser instalado por electricistas cualificados. Targetti no se responsabiliza de todas las instalaciones que no respeten las normas de seguridad en vigor.
- Ⓜ الشركة المصنعة لا تتحمل أي مسؤولية قانونية في حالة عدم تركيب الجهاز حسب الإرشادات والمواصفات المعمول بها يجب تركيب هذا الجهاز عن طريق الفني المختص فقط
- Ⓝ Сохраните этикетку от оригинальной упаковки на случай возможной будущей рекламации.
- Ⓢ 该灯具应由有资质的电工安装; 如果灯具没有按照本国的安全规范安装, TARGETTI将不承担相关责任

- Ⓜ Conservare l'etichetta dell'imballo originale per eventuali reclami futuri.
- Ⓔ Keep the label of the original packaging for the eventual future claims.
- Ⓕ Garder l'étiquette de l'emballage original pour éventuelles réclamations futures.
- Ⓖ Die Etikette der Originalverpackung muss für eventuelle zukünftige Reklamationen aufbewahrt werden.
- Ⓗ Håll etiketten på originalförpackningen för eventuella framtida krav.
- Ⓘ Conservar la etiqueta del embalaje original para posibles reclamaciones.
- Ⓜ يرجى الحفاظ على الملصق الموجود على العبوة الأصلية لاستعمالها في حالة أي تقديم شكوي في المستقبل
- Ⓝ Сохраните этикетку от оригинальной упаковки на случай возможного будущего обращения в компанию.
- Ⓢ 请保持好原始包装上的标签

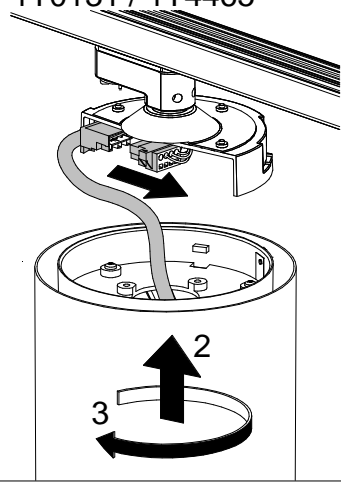
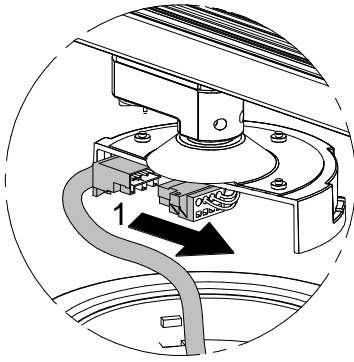
- Ⓜ Per la sostituzione del modulo led o dell'intero apparecchio contattare la nostra assistenza clienti all'indirizzo [technical@targetti.com](mailto:technical@targetti.com)
- Ⓔ To replace the LED module or the entire luminaire, contact our customer service at [technical@targetti.com](mailto:technical@targetti.com)
- Ⓕ Pour remplacer le module LED ou l'ensemble du luminaire, contactez notre service client à [technical@targetti.com](mailto:technical@targetti.com)
- Ⓖ Um das LED-Modul oder die gesamte Leuchte auszutauschen, wenden Sie sich an unseren Kundendienst unter [Technical@targetti.com](mailto:Technical@targetti.com)
- Ⓗ För att byta ut LED-modulen eller hela armaturen, kontakta vår kundtjänst på [technical@targetti.com](mailto:technical@targetti.com)
- Ⓘ Para reemplazar el módulo LED o la luminaria completa, comuníquese con nuestro servicio al cliente en [technical@targetti.com](mailto:technical@targetti.com)
- Ⓜ [technical@targetti.com](mailto:technical@targetti.com) في حالة الحاجة تغيير مصدر الإضاءة (LED) أو الكشف بالكامل، يرجى الإتصال بمكتب خدمة الزبائن على اليميل
- Ⓝ Для замены LED модуля или всего светильника пожалуйста свяжитесь с нашей технической службой [technical@targetti.com](mailto:technical@targetti.com)
- Ⓢ 如需替换LED模组或者整个灯具, 请联系客服: [technical@targetti.com](mailto:technical@targetti.com)

- Ⓜ Attentione nell'area di prodotto del sito web - [www.targetti.com](http://www.targetti.com) - potrebbe essere disponibile una versione più aggiornata del presente manuale
- Ⓔ Attention in the product area of the website - [www.targetti.com](http://www.targetti.com) - could be available one most updated version of this manual
- Ⓕ Attention, dans l'aire du produit du site web - [www.targetti.com](http://www.targetti.com) - il pourrait être disponible une version plus récente de ce manuel
- Ⓖ Achtung, in der produktspalte [www.targetti.com](http://www.targetti.com) koennte eine ueberarbeitete version dieser anleitung zur verfuegung stehen
- Ⓗ Försiktighet i produkten enligt webbplatsen - [www.targetti.com](http://www.targetti.com), det kan finnas en mer aktuell version av manualen på produktområdet på web-sidan
- Ⓘ Para más información acerca del producto puede visitar nuestra página web - [www.targetti.com](http://www.targetti.com) - podría estar disponible una versión más actualizada del presente manual
- Ⓜ إنتباه: في صفحة المنتجات على الموقع - [www.targetti.com](http://www.targetti.com) - قد يتوفر إصدار أحدث من هذا الكتيب
- Ⓝ АКТУАЛЬНАЯ ВЕРСИЯ ИНСТРУКЦИИ ДОСТУПНА ДЛЯ ЗАГРУЗКИ В РАЗДЕЛЕ PRODUCTS САЙТА [www.targetti.com](http://www.targetti.com)
- Ⓢ 请留意官网的产品介绍栏, 可获得产品的最新版本-[www.targetti.com](http://www.targetti.com)

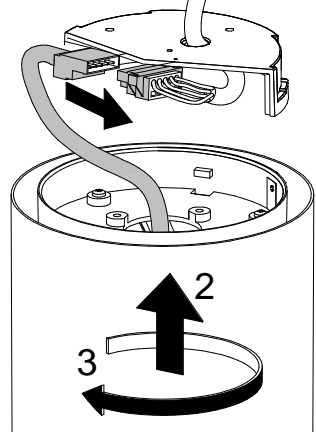
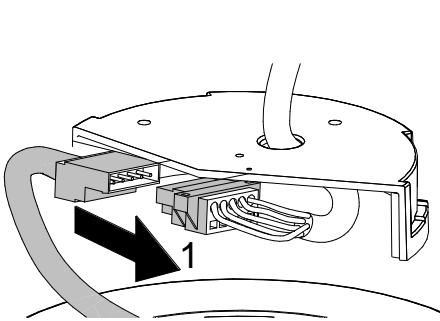
Attenzione! Per gli apparecchi equipaggiati con sistema DALI, tutti i cavi, le connessioni e le attrezzature utilizzate devono essere conformi e adeguate alla relativa tensione di rete; Il segnale DALI potrebbe non essere trasmesso con una bassissima tensione di sicurezza (SELV). Sono disponibili all'indirizzo [www.digitalilluminationinterface.org](http://www.digitalilluminationinterface.org) tutte le informazioni generali sul sistema DALI.

Warning! For luminaires equipped with DALI system, all cables, connections and equipment used must comply and adapt to the relative mains voltage; The DALI signal may not be transmitted with a very low safety voltage (SELV). All general information on the DALI system are available at [www.digitalilluminationinterface.org](http://www.digitalilluminationinterface.org).

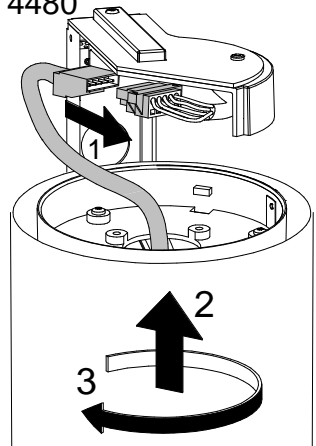
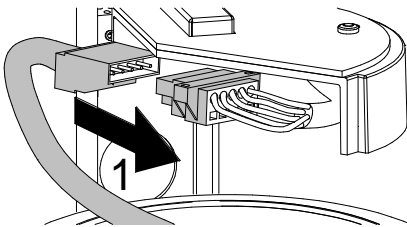
CCTLed Tube + 1T0130 / 1T0131 / 1T4465



CCTLed Tube + 1T0123 / 1T0123DA / 1T3243 / 1T4466 / 1T4467

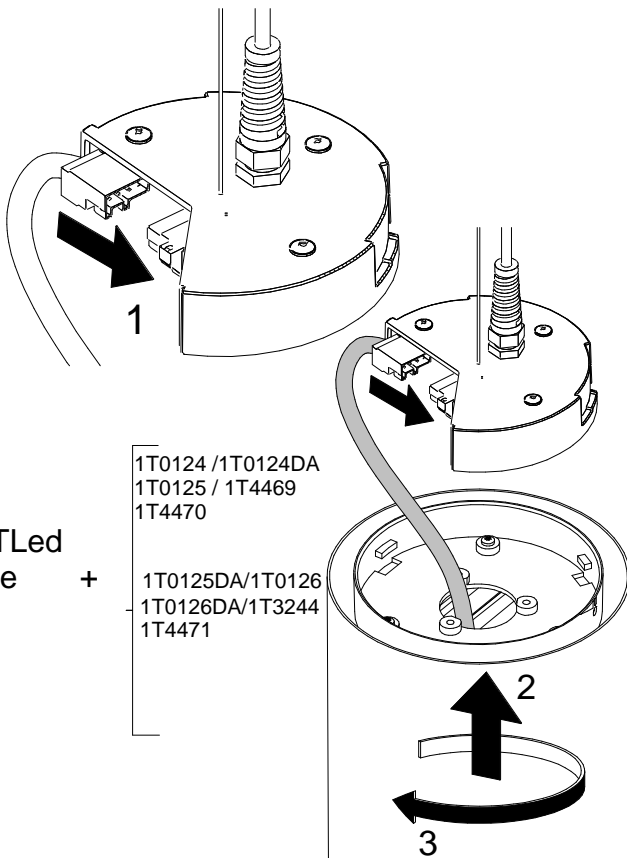
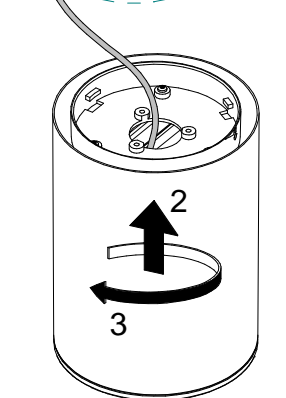
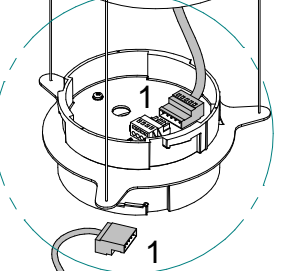
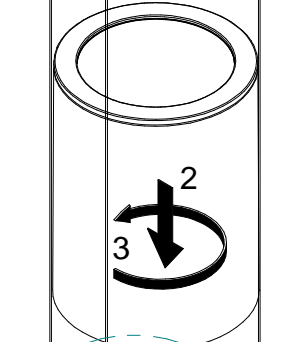
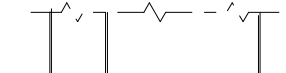
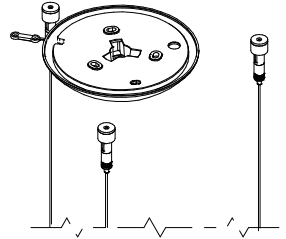
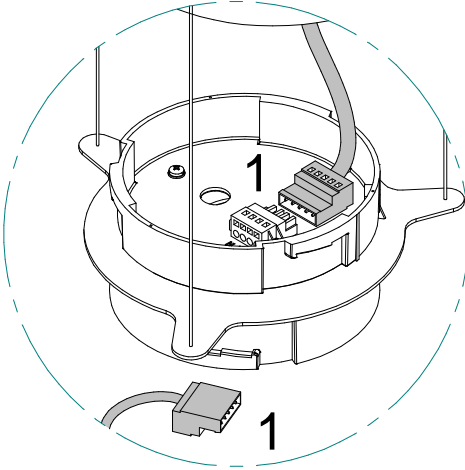


CCTLed Tube + 1T3449 / 1T3450 / 1T3451 / 1T3452 / 1T3453 / 1T3454  
1T4475 / 1T4476 / 1T4477 / 1T4478 / 1T4479 / 1T4480



CCTLed Tube +

1T2076 / 1T2076DA / 1T2077 / 1T2077DA  
1T2078 / 1T2078DA / 1T3245 / 1T3246  
1T3247 / 1T4472 / 1T4473 / 1T4474



1T0124 / 1T0124DA  
1T0125 / 1T4469  
1T4470

1T0125DA/1T0126  
1T0126DA/1T3244  
1T4471

CCTLed Tube +

# VERSIONI EMERGENZA / EMERGENCY VERSIONS

| Code   | EBLF (%) | Photometry | Code   | EBLF (%) | Photometry | Code   | EBLF (%) | Photometry |
|--------|----------|------------|--------|----------|------------|--------|----------|------------|
| 1T3170 | 13%      | TS662      | 1T3168 | 13%      | TS659      | 1T3178 | 10%      | TS655      |
| 1T3171 |          |            | 1T3169 |          |            | 1T3179 |          |            |
| 1T3190 |          |            | 1T4459 |          |            | 1T3180 |          |            |
| 1T3191 |          |            | 1T3188 |          |            | 1T3181 |          |            |
| 1T3210 |          |            | 1T3189 |          |            | 1T3198 |          |            |
| 1T3211 |          |            | 1T4461 |          |            | 1T3199 |          |            |
| 1T3230 |          |            | 1T3208 |          |            | 1T3200 |          |            |
| 1T3231 |          |            | 1T3209 |          |            | 1T3201 |          |            |
| 1T3172 | 13%      | TS663      | 1T3228 | 13%      | TS658      | 1T3218 | 10%      | TS656      |
| 1T3173 |          |            | 1T3229 |          |            | 1T3219 |          |            |
| 1T4463 |          |            | 1T3162 |          |            | 1T3220 |          |            |
| 1T3192 |          |            | 1T3163 |          |            | 1T3221 |          |            |
| 1T3193 |          |            | 1T3164 |          |            | 1T3238 |          |            |
| 1T4464 |          |            | 1T3165 |          |            | 1T3239 |          |            |
| 1T3212 |          |            | 1T3182 |          |            | 1T3240 |          |            |
| 1T3213 |          |            | 1T3183 |          |            | 1T3241 |          |            |
| 1T3232 | 1T3184   | 1T4460     |        |          |            |        |          |            |
| 1T3233 | 1T3185   | 1T4462     |        |          |            |        |          |            |
| 1T3166 | 13%      | TS660      | 1T3202 | 13%      | TS658      | 1T3174 | 10%      | TS653      |
| 1T3167 |          |            | 1T3203 |          |            | 1T3175 |          |            |
| 1T3186 |          |            | 1T3204 |          |            | 1T3194 |          |            |
| 1T3187 |          |            | 1T3205 |          |            | 1T3195 |          |            |
| 1T3206 |          |            | 1T3222 |          |            | 1T3214 |          |            |
| 1T3207 |          |            | 1T3223 |          |            | 1T3215 |          |            |
| 1T3226 |          |            | 1T3224 |          |            | 1T3234 |          |            |
| 1T3227 |          |            | 1T3225 |          |            | 1T3235 |          |            |
|        |          |            | 1T4455 |          |            | 1T3176 | 10%      | TS654      |
|        |          |            | 1T4457 |          |            | 1T3177 |          |            |
|        |          |            |        |          |            | 1T4456 |          |            |
|        |          |            |        |          |            | 1T4458 |          |            |
|        |          |            |        |          |            | 1T3196 |          |            |
|        |          |            |        |          |            | 1T3197 |          |            |
|        |          |            |        |          |            | 1T3216 |          |            |
|        |          |            |        |          |            | 1T3217 |          |            |
|        |          |            |        |          |            | 1T3236 |          |            |
|        |          |            |        |          |            | 1T3237 |          |            |





