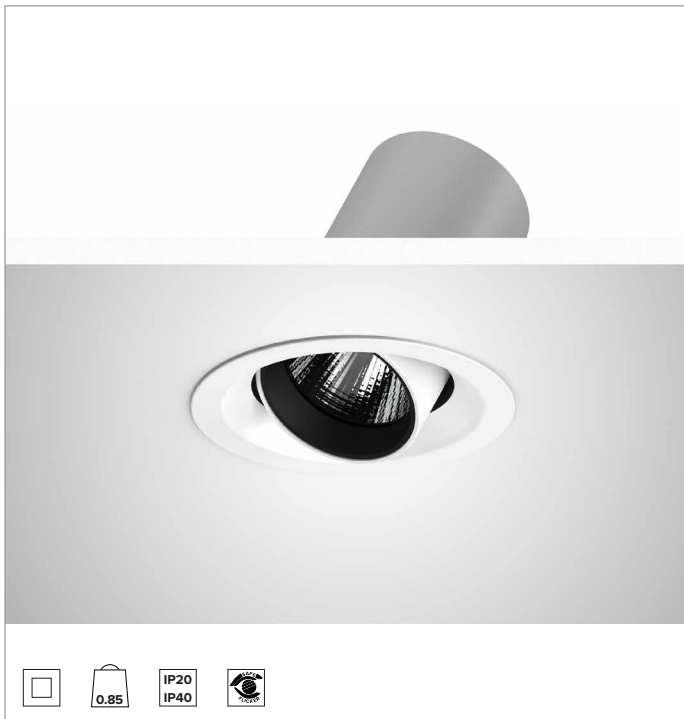
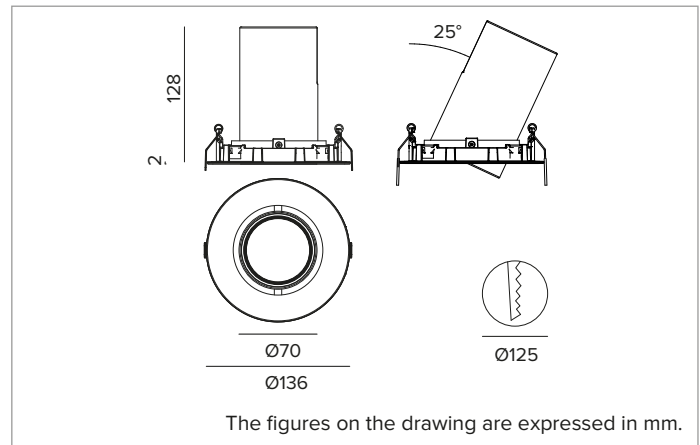


1T9326EL | CCTEVO GIMBAL 125

Recessed adjustable LED projector



	3000K	H(m)	D(m)	Emax(lx)
	Ra90		40°	
Fixture Power	20W	1	0.73	3539
Source Flux	2207lm	2	1.46	885
Fixture Flux	1549lm	3	2.19	393
Efficacy	77lm/W	4	2.93	221
TS1362	Imax=1603cd/klm	Imax	3539cd	5
			3.66	142



SOURCE

High efficiency Ra90 LED Chip on Board. Ra80 on request.

Energy efficiency class: E

Nominal power: 18W

Nominal flux: 2207lm

Colour rendering index: 90

Rf: 92

Rg: 101

CCT nominal: 3000K

Lifetime 30000h tq+25°C: L92/B10

Lifetime 50000h tq+25°C: L90/B10

ILLUMINOTECHNICAL CHARACTERISTICS

MWFL - precision optics with a black silicone cut off ring. Version with a convex faceted highly reflective anodised aluminium reflector and a holographic diffusion filter. UGR<19 (EN 12464-1).

Optic: REFLECTOR

Beam angles: FL (40°)

Optical efficiency: 70%

Fixture flux: 1549lm

Luminous efficacy: 77lm/W

Photobiological safety: Compliant with RG1 low risk group

MECHANICAL CHARACTERISTICS

Die-cast white painted anodised aluminium body. The body can be adjusted by +/-25°. With an integrated white ring.

Colour and finish: Plaster white

Weight: 0.85Kg

Degree of protection: IP20 for recessed part

Degree of protection: IP40 for exposed part

ELECTRICAL CHARACTERISTICS

Integrated electronic driver.

Fixture Power: 20W

Power supply: 220-240Vac 50/60Hz

Insulation Class: CLASS 2

Type of driver / Control: ELECTRONIC

Driver included: YES

Class F: YES

SAFE FLICKER: PstLM=<1 and SVM=<0.4 (IEC TR 61547-1 and IEC TR 63158), to ensure a more comfortable and safe light

Ambient temperature: 0°C / +25°C

INSTALLATION

Quick tool-free mounting system for false ceiling installation from 0.5 to 30mm.

NOTES

110-277Vac version available on request.

WARRANTY

5 years.

WARNING

Luminaire designed for disposal/recycling at end-of-life. Replaceable (LED only) light source by a professional. Replaceable control gear by a professional.

Due to the technological evolution of the electronic components, the data provided may be updated, and as such, confirmation must be requested during the order process.

Luminous flux and power supply have +/-10% tolerances with respect to the indicated value. tq +25°C (CIE 121).

We reserve the right to make technical changes.

Targetti Sankey S.r.l.
Via Pratese, 164
50145 Firenze - Italy
Tel: +39 055 37911
targetti.com
targetti@targetti.com

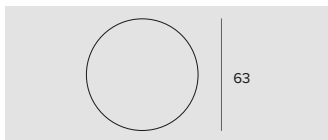
CCIAA Firenze
Share Capital:
€ 500.000,00
VAT N. (IT):
01537660480
R.E.A: FI-275656

TARGETTI

1T9326EL | CTEVO GIMBAL 125
Recessed adjustable LED projector

Accessories

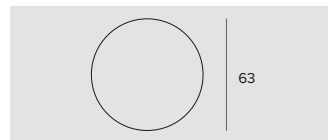
Filter



Ø	Code
63	1T8094

Holographic PMMA filter with blade of light effect.
 Allows the beam to be made oval; combined with spot and flood optics the effect appears more pronounced.

Grid



Ø	Code
63	1T8093

Anti-glare louver.
 Black painted metal honeycomb structure.

Mounting System



L	Code
2500	1T9606

Anti-fall safety cable to secure the body of the appliance to the building structure.

*Due to the technological evolution of the electronic components, the data provided may be updated, and as such, confirmation must be requested during the order process.
 Luminous flux and power supply have +/-10% tolerances with respect to the indicated value. tq +25°C (CIE 121).*

We reserve the right to make technical changes.

Targetti Sankey S.r.l.
 Via Pratese, 164
 50145 Firenze - Italy
 Tel: +39 055 37911
 targetti.com
 targetti@targetti.com

CCIAA Firenze
 Share Capital:
 € 500.000,00
 VAT N. (IT):
 01537660480
 R.E.A: FI-275656

