

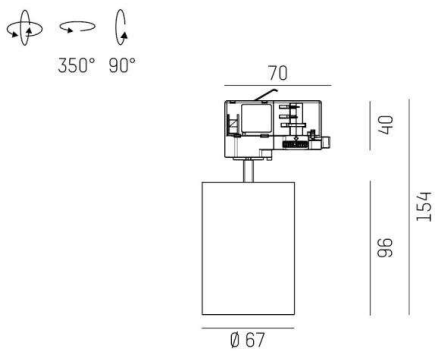
DASH 2

599-101010223060

DASH 2 TRACK TRACK SPOTLIGHT WITH 3 PH ADAPTER made of aluminium, black, similar to RAL 9005,high-efficiently vacuum deposited aluminium reflector beam 17°, accessoire: glass, light output direct, UGR <19, swiveling 350°, tilting 90°, with converter, dimmability: not dimmable, adapter/ceiling base black, IP20



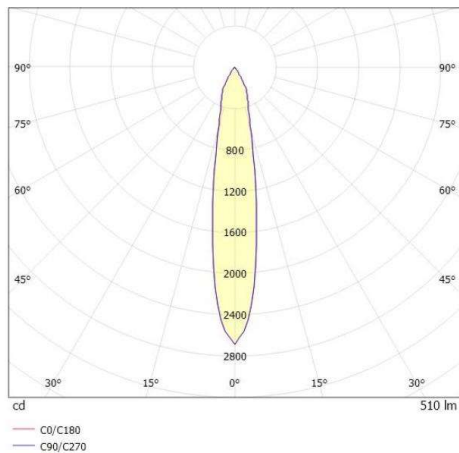
DRAWING



TECHNICAL DETAILS

| | |
|-----------------------------|--------------------------------------|
| System perform. [W] | 10 |
| Bulb type | LED |
| Luminous flux [lm] | 510 |
| Colour temp. [K] | 2700K |
| CRI | >90 |
| UGR | <19 |
| Optics | vacuum deposited aluminium reflector |
| Designer | INHOUSE |
| Converter | with converter |
| Dimming | not dimmable |
| Light output | direct |
| Beam angle [°] | 17° |
| Voltage [V] | 220-240V 50/60Hz |
| Material | aluminium |
| Height [mm] | 155 |
| Diameter [mm] | 67 |
| IP protection class | IP20 |
| Voltage class | protection cl. I |
| Shock resistance | IK01 |
| Net weight [kg] | 0,46 |
| Colour lamp | black |
| RAL | 9005 |
| Colour adapter/ceiling base | black |
| EAN-Number | 9010506800883 |
| Lifetime [h] | L80 B10 20 000 |
| Energy efficiency cl. | G |
| No. of luminaires B16A | 200 |

LIGHT DISTRIBUTION CURVE



The values are rated values. Power and luminous flux are initially subject to a tolerance of +/- 10%. Colour temperature tolerance: +/- 150 K. The values apply to an ambient temperature of 25°C unless otherwise specified.